

# **GREAT** **DANE™**

## **NB Loop Scamper**



## **ILLUSTRATED PARTS LIST AND TECHNICAL MANUAL**

**⚠ WARNING:** The Engine Exhaust from this product contains chemicals known to the State of California to cause cancer, birth defects or other reproductive harm.

California Proposition 65 Warning

**PC9343 (NOV 03)**

North American Version  
Litho in U.S.A.



---

---

# TABLE OF CONTENTS

---

---

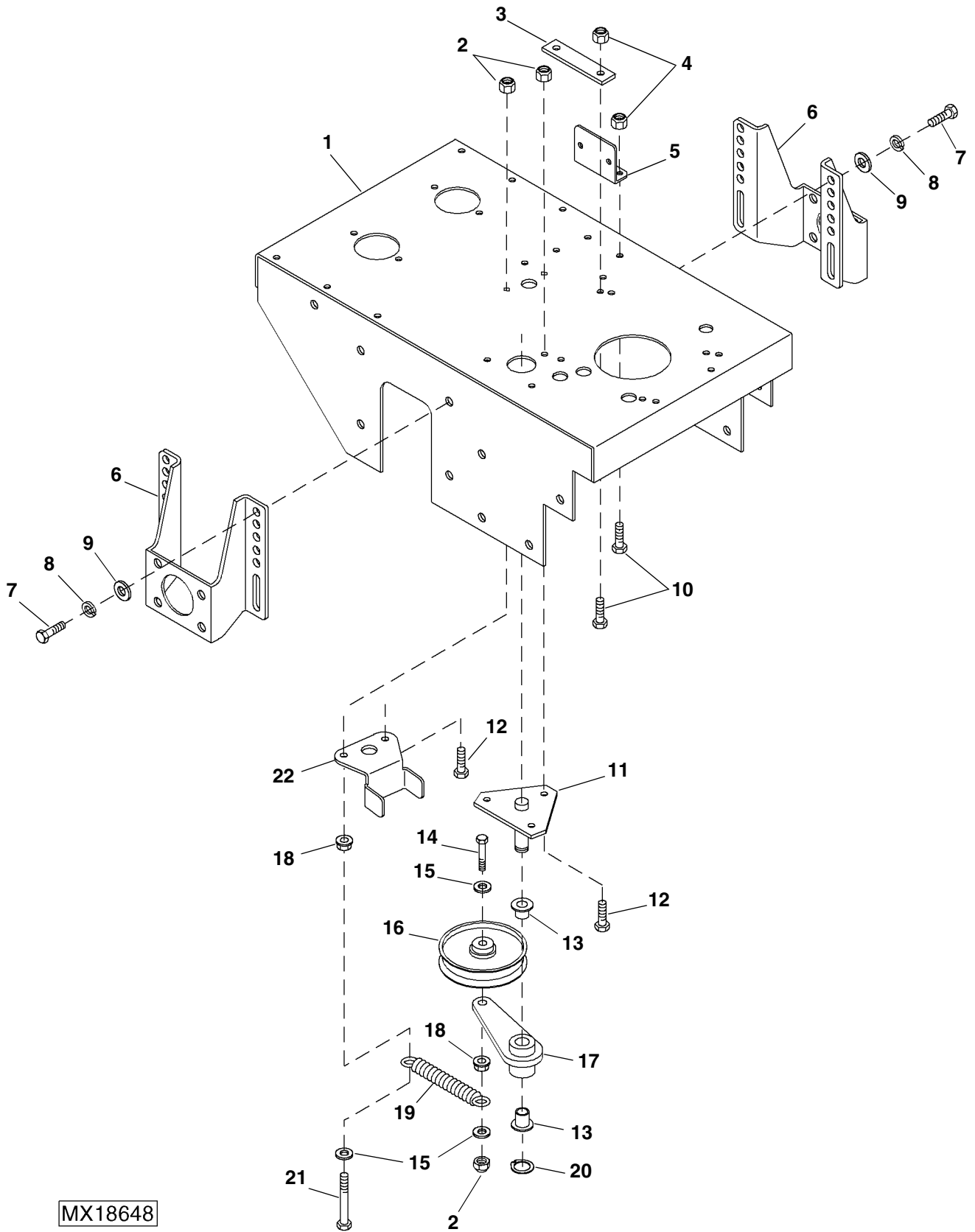
Engine/Traction Deck and Drive Idler .....	2
Console and Control Handle.....	4
Drive Controls and Linkage .....	6
Park Brake .....	8
Hydraulics, Wheels and Tires .....	10
Hydraulic Schematic .....	12
Notes .....	13
Fuel Tank and Lines .....	14
Engine and Related Components.....	16
PTO Clutch .....	18
Electrical Harness, Components, and Schematic.....	20
Mower Deck Caster Wheel and Support .....	22
36-Inch Mower Deck.....	24
48-Inch Mower Deck.....	26
Mower Deck Spindles .....	28
Labels and Decals .....	30

All information, illustrations and specifications in this manual are based on the latest information at the time of publication. The right is reserved to make changes at any time without notice.

COPYRIGHT© 2003  
Deere & Co.  
John Deere Worldwide Commercial and  
Consumer Equipment Division  
All rights reserved  
Previous Editions  
COPYRIGHT©

PC9343 (NOV 03) - English

# ENGINE/TRACTION DECK AND DRIVE IDLER



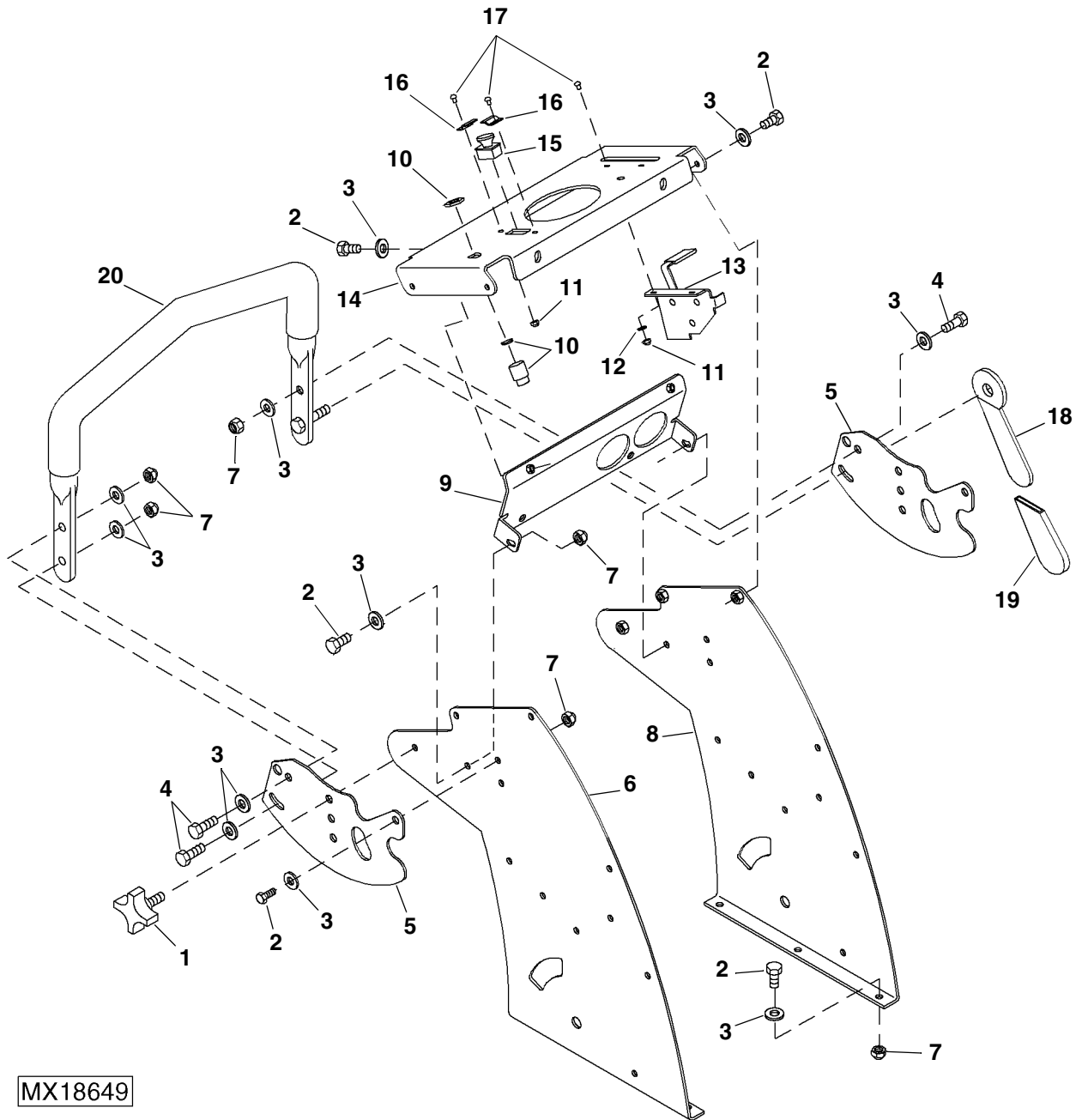
MX18648

## ENGINE/TRACTION DECK AND DRIVE IDLER

Ref. No.	Part No.	Description	Qty.	Remarks
1	D35040	Base	1	Engine deck
2	D14010	Lock Nut	6	3/8-16 Nylock
3	D32070	Plate	1	Capacitor mount
4	M63277	Lock Nut	4	5/16-18 Nylock
5	D32071	Angle	1	Module mount
6	D32051	Bracket	2	Wheel motor
7	D14171	Bolt	8	7/16 x 1.0
8	12H293	Lock Washer	8	7/16"
9	D14207	Washer	8	7/16 x 1.25 x 0.078
10	D14143	Bolt	4	5/16 x 3/4
11	GDA10036	Pivot, Idler	1	
12	D14013	Bolt	4	3/8 x 1.0
13	D18076	Bushing	2	1.004 x 1.252 x 1
14	19H3031	Bolt	1	3/8 x 2-1/2
15	24H1305	Washer	2	13/32 x 13/16 x 0.065
16	GDA10032	Pulley, Idler	1	
17	D15032	Arm, Idler	1	
18	14H1090	Flange Nut	2	3/8-16
19	D18071	Extension Spring	1	
20	D14104	Snap Ring	1	1.00
21	D14021	Bolt, HHCS	1	3/8-16 x 3.0
22	D12027	Bracket	1	PTO clutch mount

### NOTES

# CONSOLE AND CONTROL HANDLE



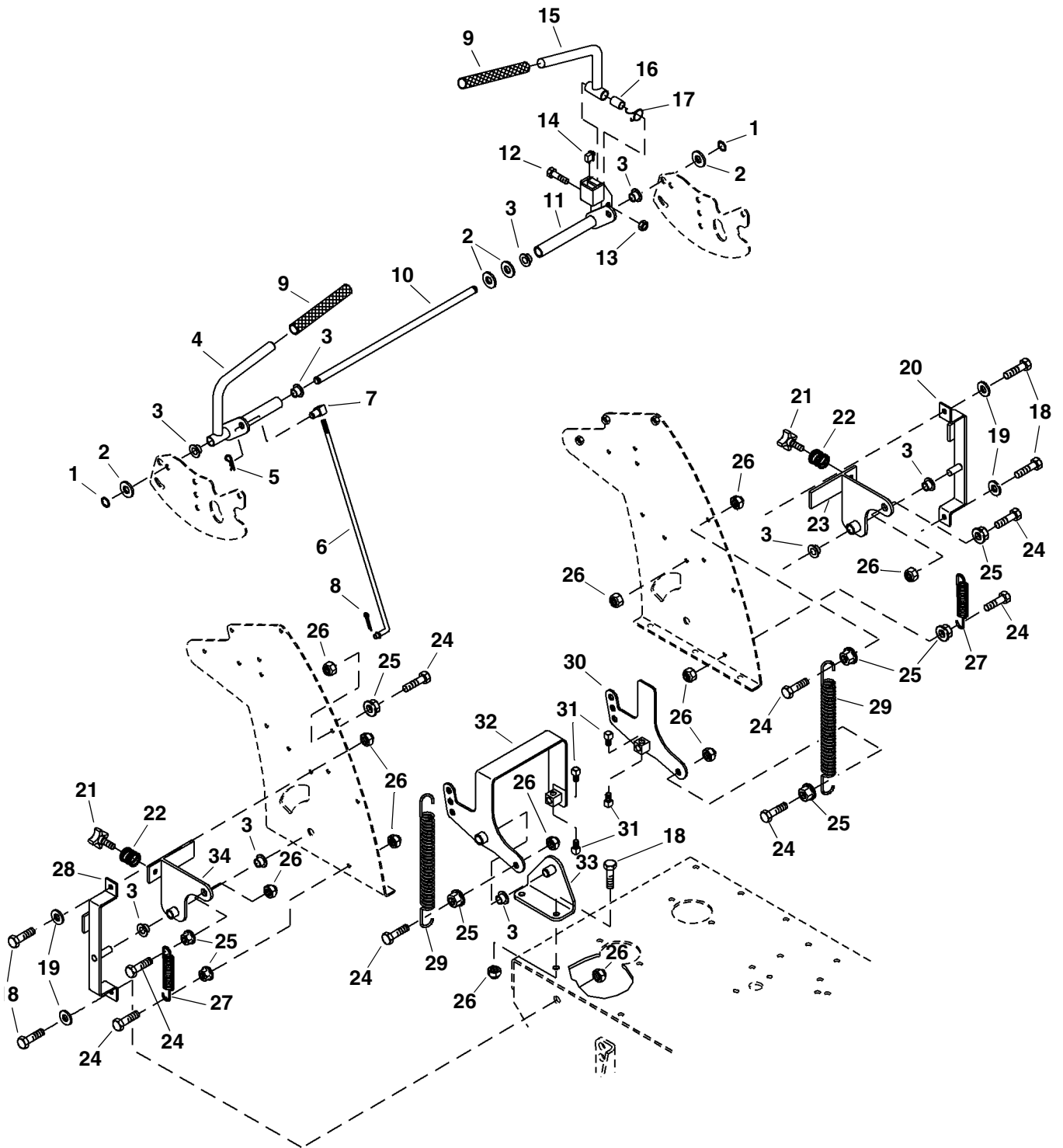
MX18649

## CONSOLE AND CONTROL HANDLE

Ref. No.	Part No.	Description	Qty.	Remarks
1	D18047	Knob	2	
2	D14013	Bolt	16	3/8 x 1.0"
3	24H1305	Washer	22	13/32 x 13/16 x 0.065"
4	D14014	Cap Screw	3	3/8 x 1-1/4"
5	D32061	Bracket, Handle	2	
6	D35042	Support, RH	1	
7	D14010	Lock Nut	13	3/8-16 Nylock
8	D35041	Support, LH	1	
9	D35043	Brace	1	
10	D18090	Key Switch	1	Includes nut and washer
11	M63431	Nut	4	#8-32 stop nut
12	D14290	Washer	2	#10 x 1/2 x 0.045"
13a	D38031	Throttle	1	14 hp & 15 hp engine
13b	D38028	Throttle	1	17 hp engine
14	D32054	Console	1	
15	D38005	Switch	1	PTO
16	D12106	Tab, Retainer	2	PTO switch
17	D24020	Screw	4	#8-32 x 1/2"
18	D15028	Lever, Lock	1	
19	D18079	Grip	1	
20	D38026	Handle, Loop	1	

### NOTES

# DRIVE CONTROLS AND LINKAGE



MX18650

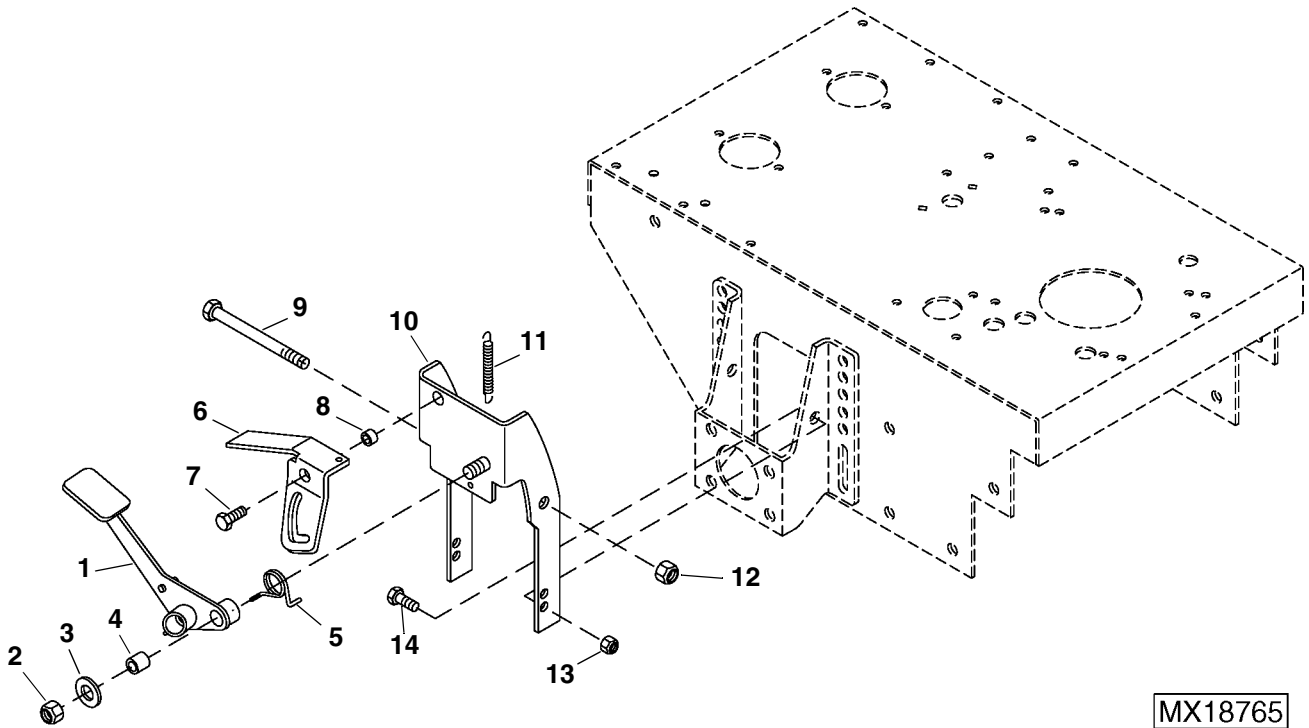


## DRIVE CONTROLS AND LINKAGE

Ref. No.	Part No.	Description	Qty.	Remarks
1	D14109	Retaining Ring	2	1.00"
2	D14248	Washer	4	0.516 x 0.875 x 0.045"
3	D18013	Bushing	9	0.50" flanged
4	D35036	Lever	1	RH drive
5	D14006	Spring Locking Pin	2	
6	D38025	Rod	2	Drive control
7	D33002	Swivel	2	Drive adjustment
8	D14107	Cotter Pin	2	3/32 x 1.00
9	D18093	Grip	2	
10	D33010	Pin	1	Drive lever
11	D35035	Handle Mount	1	LH drive lever
12	D14148	Bolt	1	5/16 x 1-3/4"
13	D14081	Lock Nut	1	5/16 Nylock
14	D38001	Switch	1	OPC
15	D35037	Lever	1	LH drive
16	D33004	Spacer	1	
17	D38003	Torsion Spring	1	
18	D14013	Bolt	6	3/8 x 1.0"
19	24H1305	Washer	4	13/32 x 13/16 x 0.065"
20	D35027	Stop	1	Neutral, LH
21	D18047	Knob	2	
22	D18074	Compression Spring	2	
23	D35029	Adjuster	1	Neutral, LH
24	D14015	Bolt	8	3/8 x 1-1/2"
25	14H1090	Flange Nut	8	3/8-16
26	D14010	Lock Nut	14	3/8-16 Nylock
27	D38024	Extension Spring	2	Pump reverse
28	D35028	Stop	1	Neutral, RH
29	D18072	Extension Spring	2	Pump forward
30	D35039	Arm	1	Pump control, LH
31	D24032	Set Screw	4	1/4-20 x 3/4, square head
32	D35038	Arm	1	Pump control, RH
33	D15010	Pivot	1	Pump control arm, RH
34	D35030	Adjuster	1	Neutral, RH

### NOTES

# PARK BRAKE



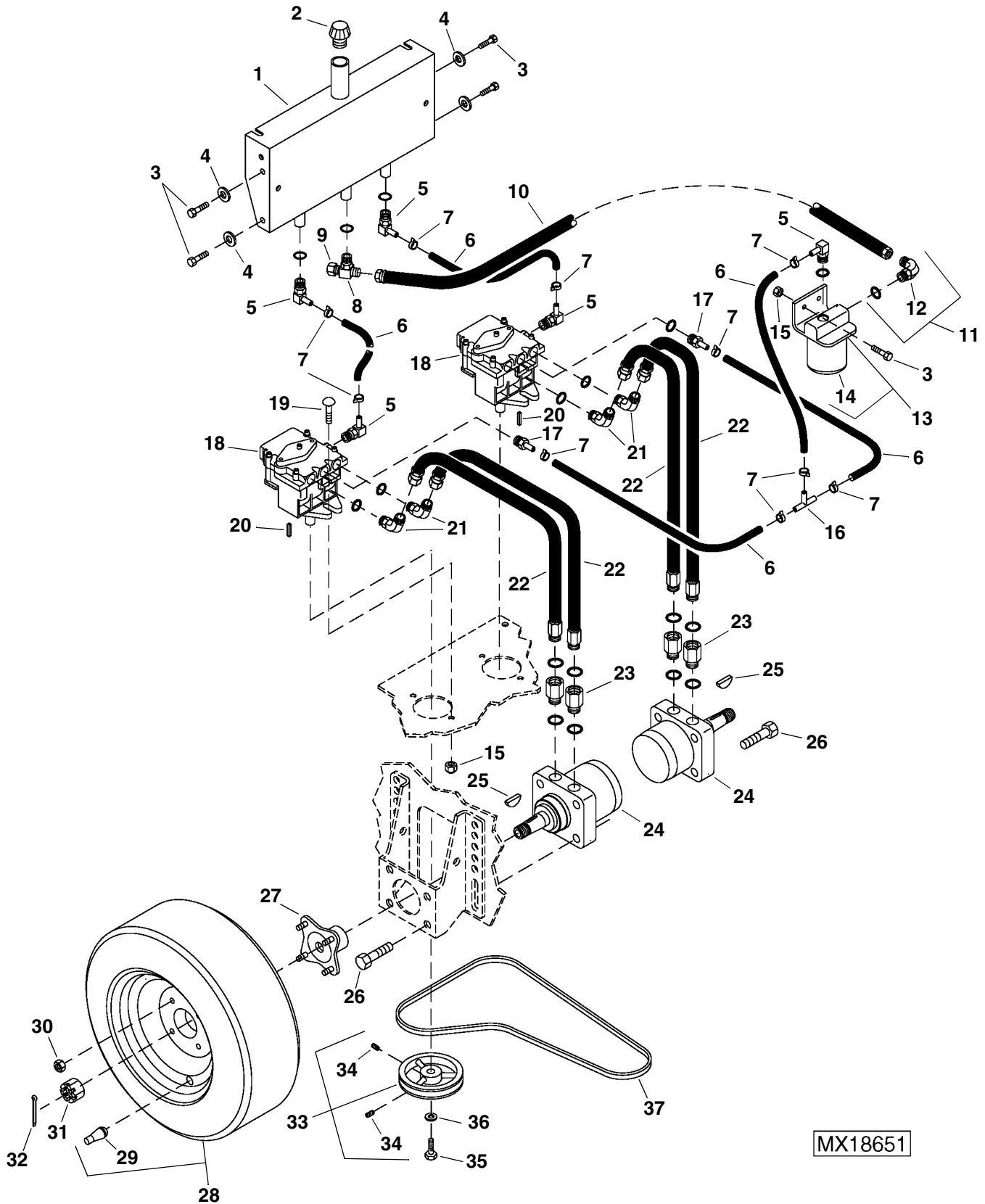
MX18765

# PARK BRAKE

Ref. No.	Part No.	Description	Qty.	Remarks
1	D15048	Pedal, Brake	1	
2	D14045	Lock Nut	1	1/2-13 Nylock
3	D14105	Washer	1	0.531 x 1.062 x 0.098"
4	D13036	Sleeve	1	0.51 x 0.77 x 0.89"
5	D18138	Torsion Spring	1	
6	D32068	Latch, Brake	1	
7	D14015	Bolt	1	3/8 x 1-1/2"
8	D13039	Bushing	1	0.39 x 0.50 x 0.41"
9	D14031	Bolt	1	3/8 x 5-1/2"
10	D35034	Bracket	1	
11	D18140	Extension Spring	1	
12	D14010	Lock Nut	1	3/8-16 Nylock
13	D24013	Lock Nut	2	3/8-16
14	D14013	Bolt	2	3/8 x 1.0"

## NOTES

# HYDRAULICS, WHEELS AND TIRES



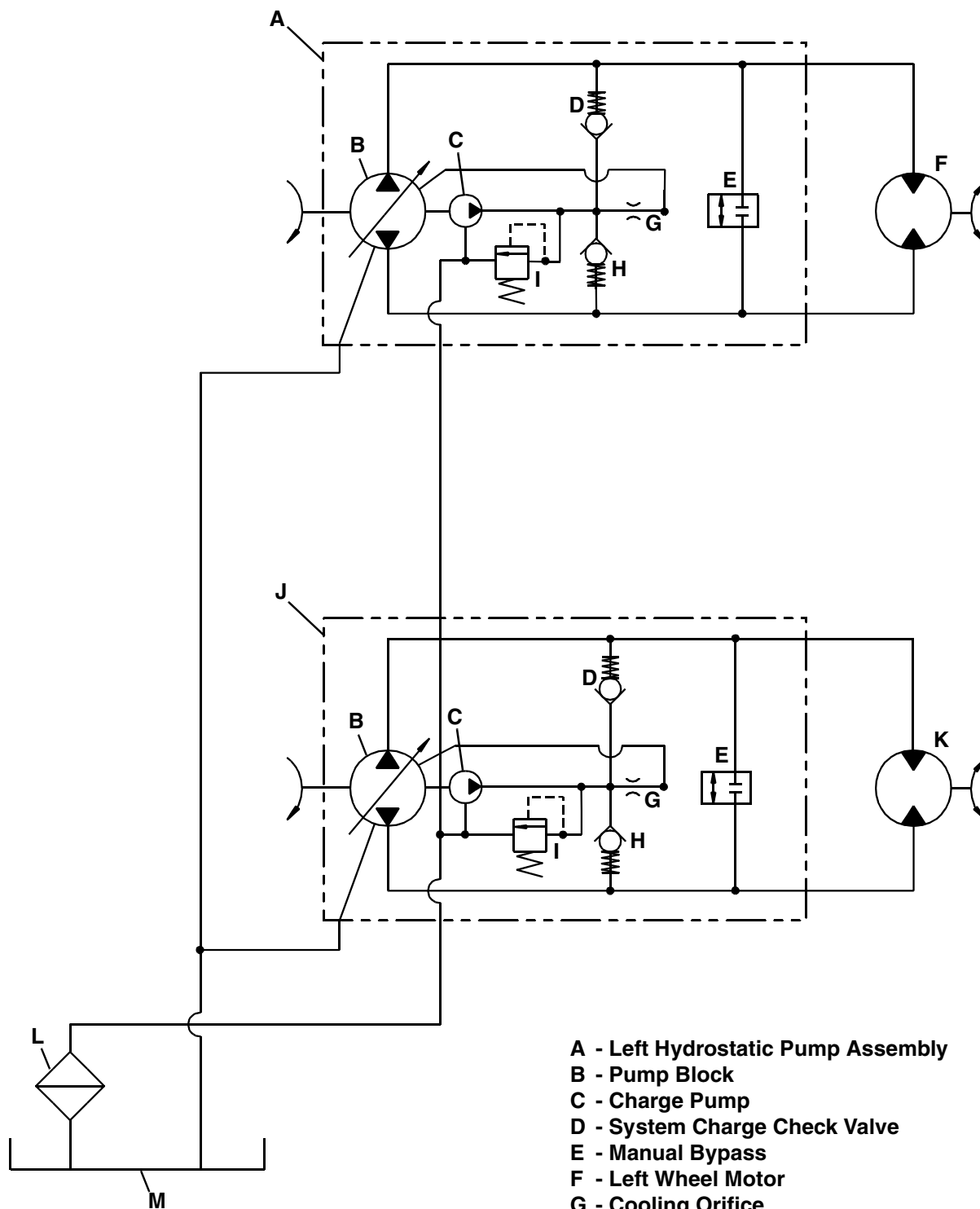
MX18651

## HYDRAULICS, WHEELS AND TIRES

Ref. No.	Part No.	Description	Qty.	Remarks
1	D35031	Reservoir	1	Hydraulic
2	D18333	Cap	1	Hydraulic reservoir
3	D14013	Bolt	6	3/8 x 1.0"
4	24H1305	Washer	4	13/32 x 13/16 x .065"
5	D24028	Fitting	5	90-deg
6	M88753	Hose	5	(Cut to length)
7	D18379	Hose Clamp	10	
8	D14199	Fitting	1	Oil drain "T"
9	D18174	Cap	1	Oil drain
10	D38033	Hydraulic Hose	1	
11	D14196	Fitting	1	90-deg w/ O-ring
12	AT32332	Fitting	1	90-deg
13	D18167	Filter Assembly	1	Hydraulic
14	D18094	Filter	1	
15	D14010	Lock Nut	6	3/8-16 Nylock
16	M86863	Fitting	1	"T"
17	D24027	Fitting	2	Straight
18	D18051	Hydraulic Pump	2	
19	03H1500	Carriage Bolt	4	3/8 x 1.0"
20	D18067	Shaft Key	2	M5 x 30
21	D24018	Fitting	4	45-deg w/ O-ring
22	D38020	Hydraulic Hose	4	
23	D18219	Adapter	4	Hydraulic fitting
24	D18311	Hydraulic Motor	2	Wheel
25	D18206	Shaft Key	2	3/16 x 3/4" Woodruff
26	D14280	Bolt	8	3/8 x 1.0"
27	D18110	Wheel Hub	2	
28	D38038	Wheel and Tire	2	16 x 650-6
29	AM30795	Tire Valve	2	
30	D14192	Lug Nut	8	Wheel to hub
31	D14193	Wheel Nut	2	3/4-20
32	D14194	Cotter Pin	2	1/8 x 1-1/2"
33	TCA15316	Pulley	2	Hydro pump
34	22H907	Set Screw	4	5/16 x 7/8" SH, cup point
35	D14213	Screw	2	M6 x 15
36	D14160	Washer	2	1/4 x 1.0 x 0.125"
37	D38006	V-Belt	1	Hydro drive

### NOTES

# HYDRAULIC SCHEMATIC



- A - Left Hydrostatic Pump Assembly
- B - Pump Block
- C - Charge Pump
- D - System Charge Check Valve
- E - Manual Bypass
- F - Left Wheel Motor
- G - Cooling Orifice
- H - System Charge Check Valve
- I - Charge Relief Valve
- J - Right Hydrostatic Pump Assembly
- K - Right Wheel Motor
- L - Inlet Filter
- M - Hydraulic Reservoir

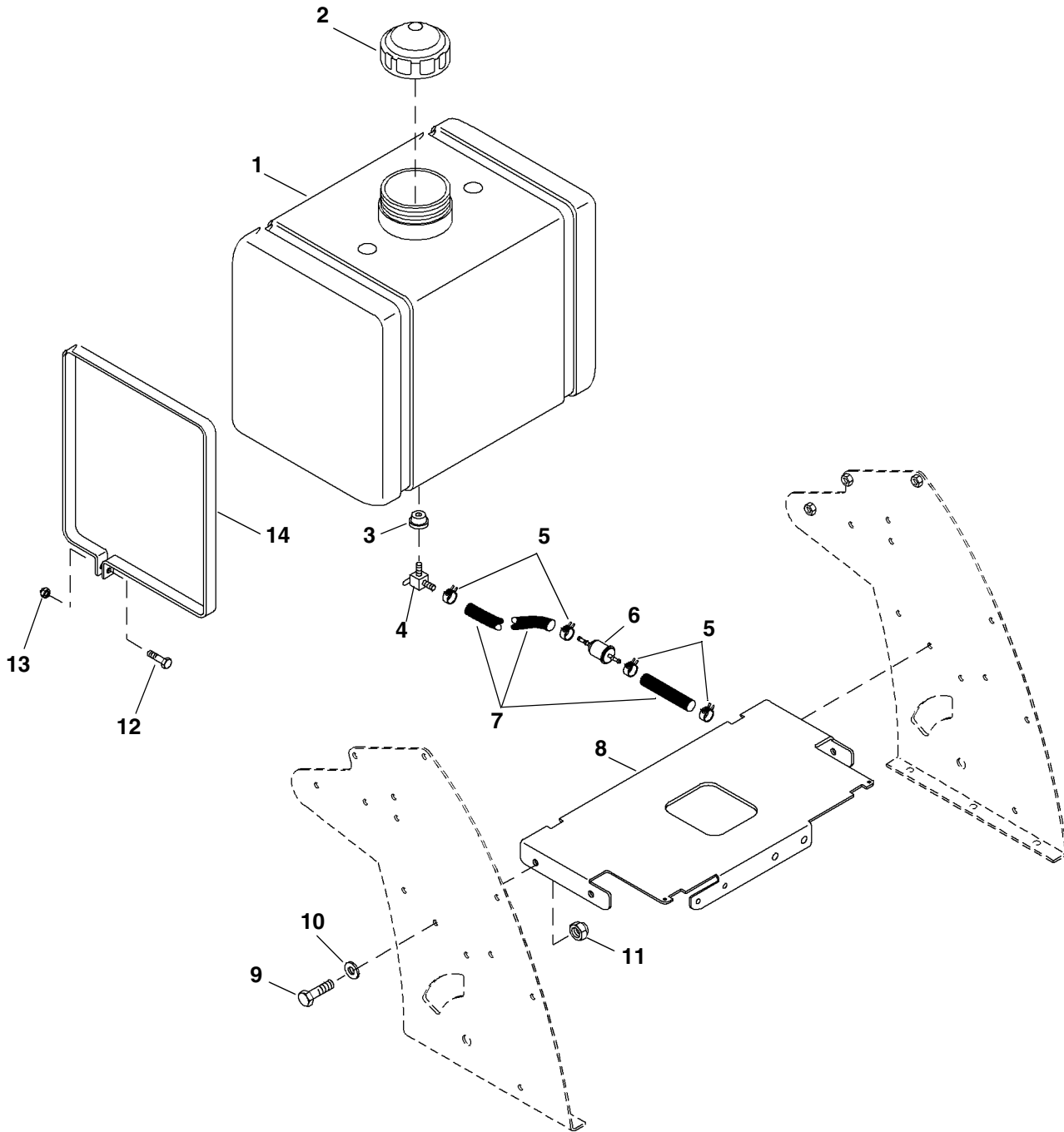
MX20039

# NOTES

---

---

# FUEL TANK AND LINES



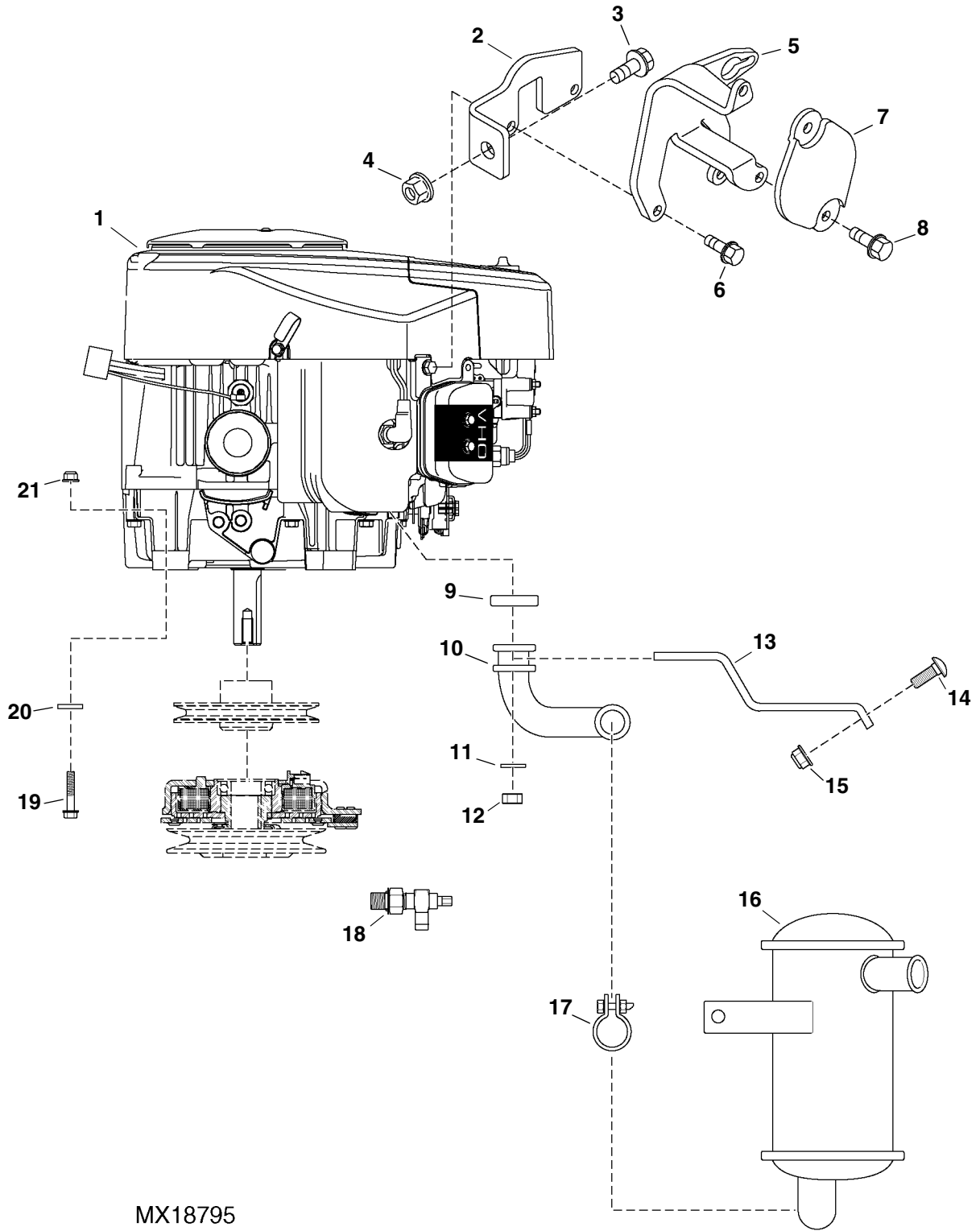


## FUEL TANK AND LINES

Ref. No.	Part No.	Description	Qty.	Remarks
1	D38036	Fuel Tank	1	
2	D18097	Cap, Fuel	1	
3	D18144	Grommet	1	
4	D18098	Valve, Shutoff	1	
5	TY22464	Clamp	4	
6	AM116304	Filter	1	
7	TY22551	Hose, Fuel, 1/4 in. SAE 30-R7	ar	25 ft bulk (Cut to length)
8	D32064	Base	1	Fuel tank
9	D14013	Bolt	4	3/8 x 1.0
10	24H1305	Washer	4	13/32 x 13/16 x 0.065
11	D14010	Lock Nut	4	3/8-16
12	D14133	Bolt	2	1/4-20 x 2.0
13	D14044	Nut	2	1/4-20 Nylock
14	D32024	Strap	2	Fuel tank

## NOTES

# ENGINE AND RELATED COMPONENTS



MX18795

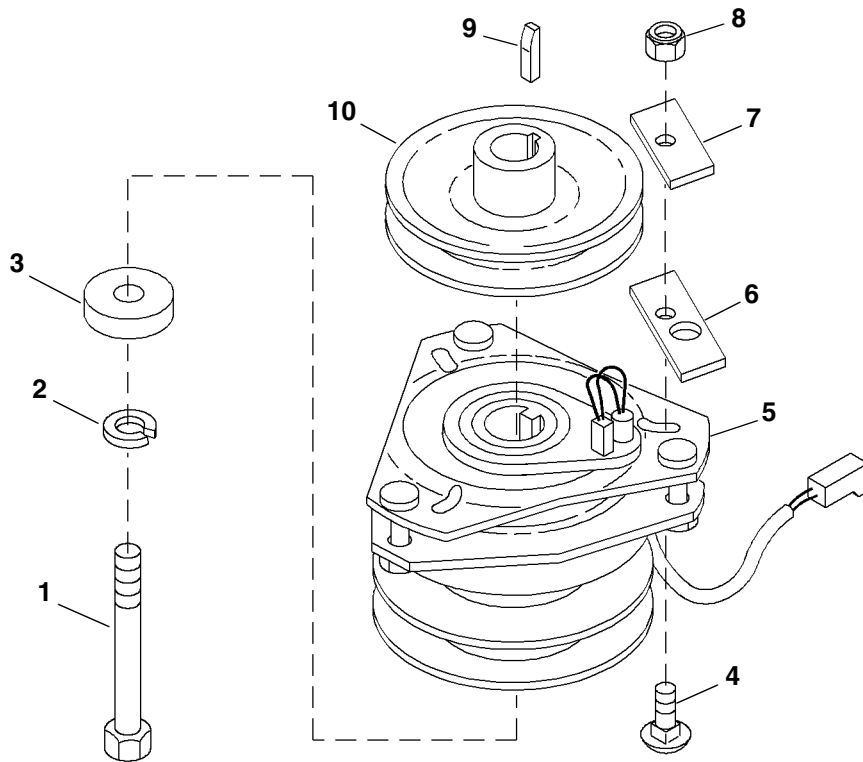
# ENGINE AND RELATED COMPONENTS

Ref. No.	Part No.	Description	Qty.	Remarks
* 1a	D18162	Engine	1	14 hp recoil (FC420V-KS09)
* 1b	D28114	Engine	1	17 hp recoil (FH500-BS20)
* 2	.....	Bracket	1	Muffler
* 3	.....	Bolt	1	M8 x 13, hex head
* 4	.....	Flange Nut	1	M8
* 5	.....	Bracket	1	Fuel pump
* 6	.....	Screw	2	M6 x 16, flange head
* 7	.....	Heat Shield	1	Fuel pump
* 8	.....	Screw	2	M6 x 20, flange head
* 9a	.....	Gasket	2	Exhaust, 14 hp
* 9b	.....	Gasket	2	Exhaust, 17 hp
* 10	.....	Pipe	1	Exhaust
* 11	.....	Lock Washer	4	M8 x 14 x 2
* 12	.....	Nut	4	M8
* 13	.....	Heat Shield	1	Exhaust pipe
* 14	.....	Bolt w/ Washer	1	M4 x 16
* 15	.....	Hex Nut	1	M4
* 16	.....	Muffler	1	
* 17	.....	Clamp	1	Muffler
18	D28123	Valve	1	Oil drain
19a	19M7867	Bolt	8	M8 x 25 (14 hp engine)
19b	D14147	Bolt	8	5/16-18 x 1.50 (17 hp engine)
20	D14114	Washer	8	5/16 SAE
21	D14081	Lock nut	8	5/16 Nylock (17 hp engine only)

\* NOTE: See authorized KAWASAKI servicing engine dealer for engines and engine related service items. Always reference the engine model number when ordering parts.

## NOTES

# PTO CLUTCH



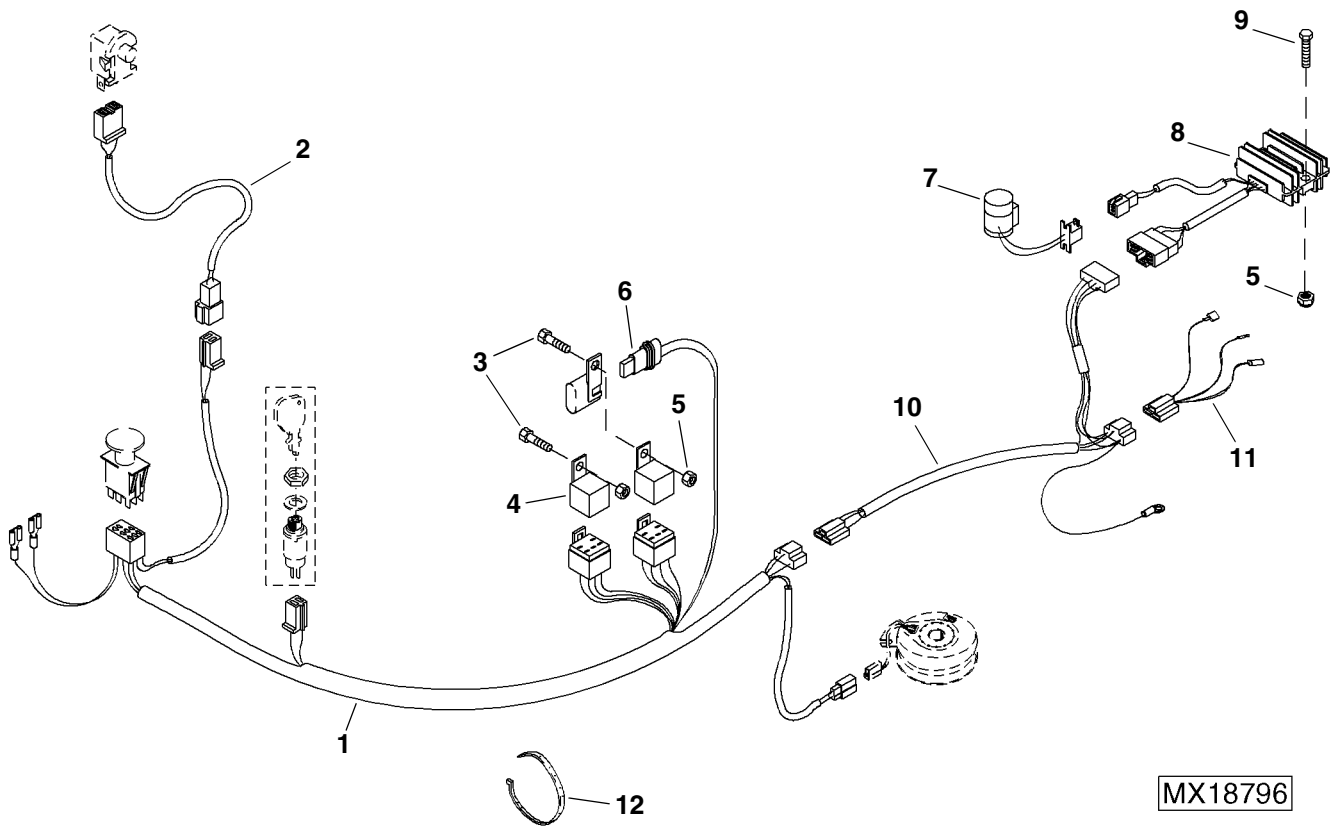
MX18763

## PTO CLUTCH

Ref. No.	Part No.	Description	Qty.	Remarks
1a	19M7810	Bolt	1	M10 x 80 (14 hp engine only)
1b	D24023	Bolt	1	7/16 x 3.00"
2	12H293	Lock Washer	1	7/16"
3	D18056	Bushing	1	
4	D14113	Carriage Bolt	1	5/16 x 3/4"
5	D18000	Clutch	1	PTO
6	D18068	Bumper	1	
7	D12043	Retainer	1	Bumper
8	D14081	Lock Nut	1	5/16-18
9	D18145	Shaft Key	1	1/4 x 1.00"
10	D18085	Pulley	1	Engine to hydro pumps

## NOTES

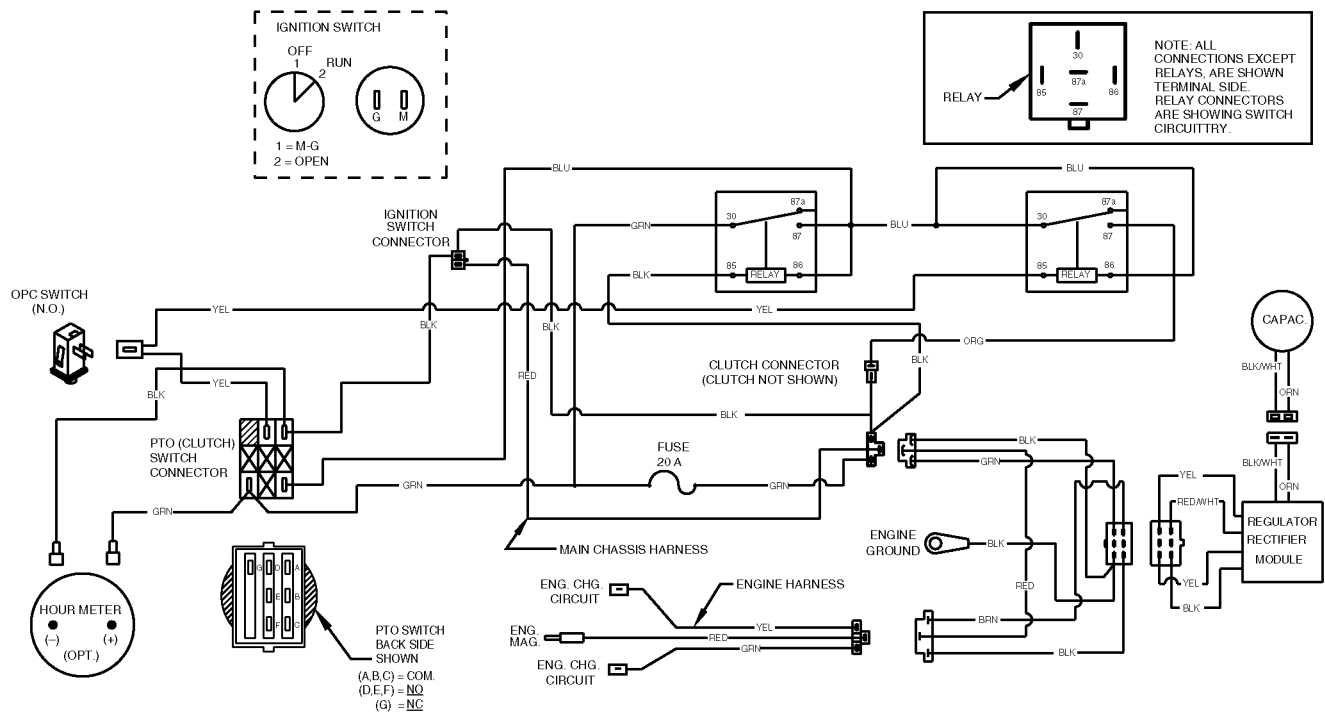
# ELECTRICAL HARNESS, COMPONENTS, AND SCHEMATIC



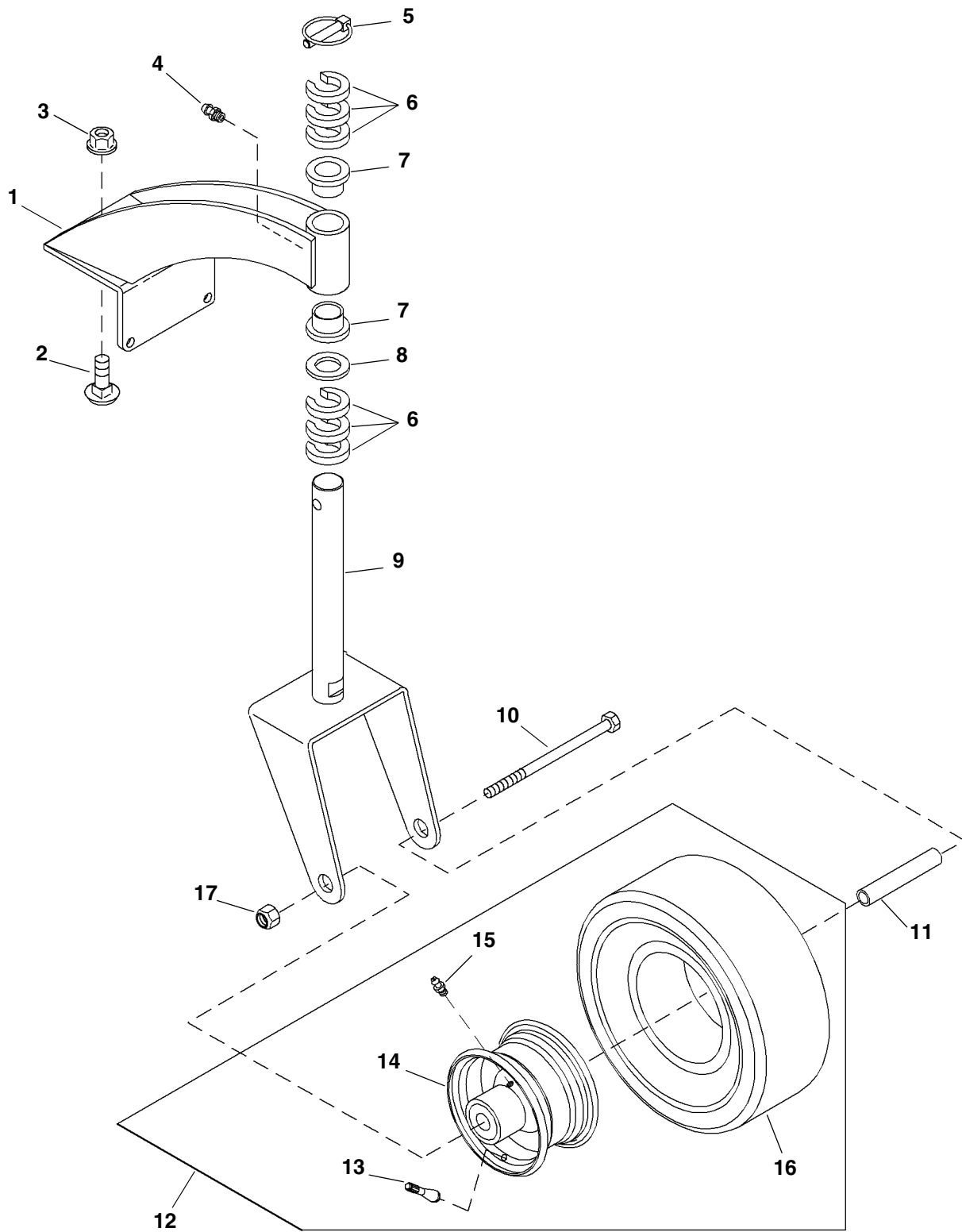
MX18796

# ELECTRICAL HARNESS, COMPONENTS, AND SCHEMATIC

Ref. No.	Part No.	Description	Qty.	Remarks
1	D38016	Wiring Harness	1	Main
2	D38018	Wiring Harness	1	OPC pigtail
3	D14127	Bolt	2	1/4-20 x 3/4
4	D18052	Relay	2	
5	D14044	Lock Nut	4	1/4 Nylock
6	57M7120	Fuse	1	20A
7	D38050	Capacitor	1	
8	D38051	Regulator/Rectifier	1	
9	D14129	Bolt	2	1/4-20 x 1.00
10	D38027	Wiring Harness	1	Regulator pigtail
11	D18416	Wiring Harness	1	Engine pigtail
12	M78480	Cable Tie	1	



# MOWER DECK CASTER WHEEL AND SUPPORT



MX18758

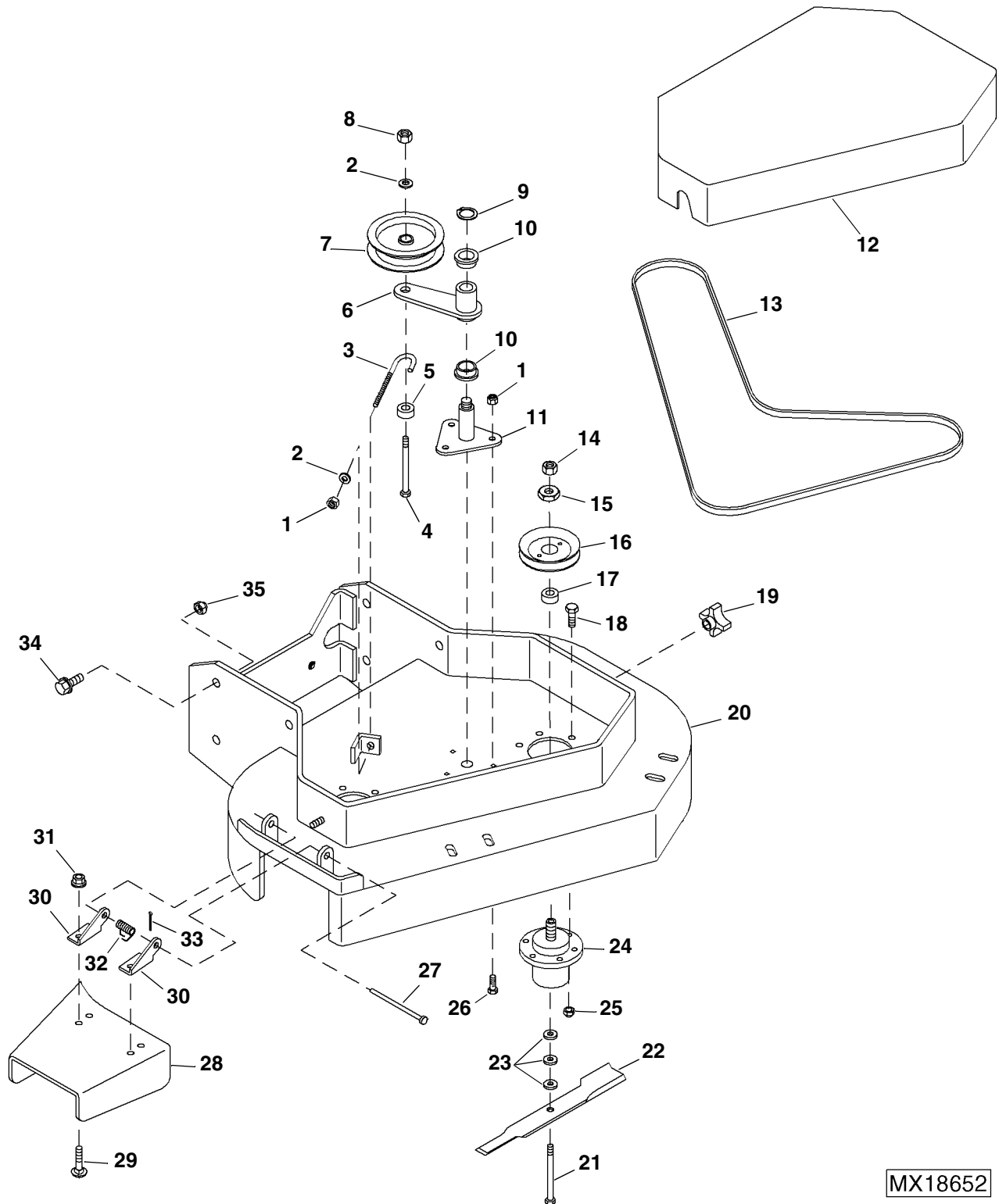


## MOWER DECK CASTER WHEEL AND SUPPORT

Ref. No.	Part No.	Description	Qty.	Remarks
1	D15007	Support	2	
2	03M7085	Carriage Bolt	8	M10 x 30
3	14M7400	Lock Nut	8	M10
4	JD7842	Zerk	2	
5	D18057	Quick Lock Pin	2	
6	D18002	Spacer	12	
7	D18076	Bushing	4	1.004 x 1.252 x 1
8	D13008	Spacer	2	1.031 x 1.500 x 0.200
9	D15030	Yoke	2	
10	D14068	Bolt	2	1/2-13 x 5-1/2
11	D13003	Axle	2	0.509 x 0.625 x 4.125
12	D38034	Caster Wheel & Tire	2	9"
13	AM30795	Valve	1	
14	.....	Wheel	1	(Order D38034)
15	.....	Zerk	1	(Order D38034)
16	.....	Tire	1	(Order D38034)
17	D14045	Lock Nut	2	1/2-13

### NOTES

# 36-INCH MOWER DECK



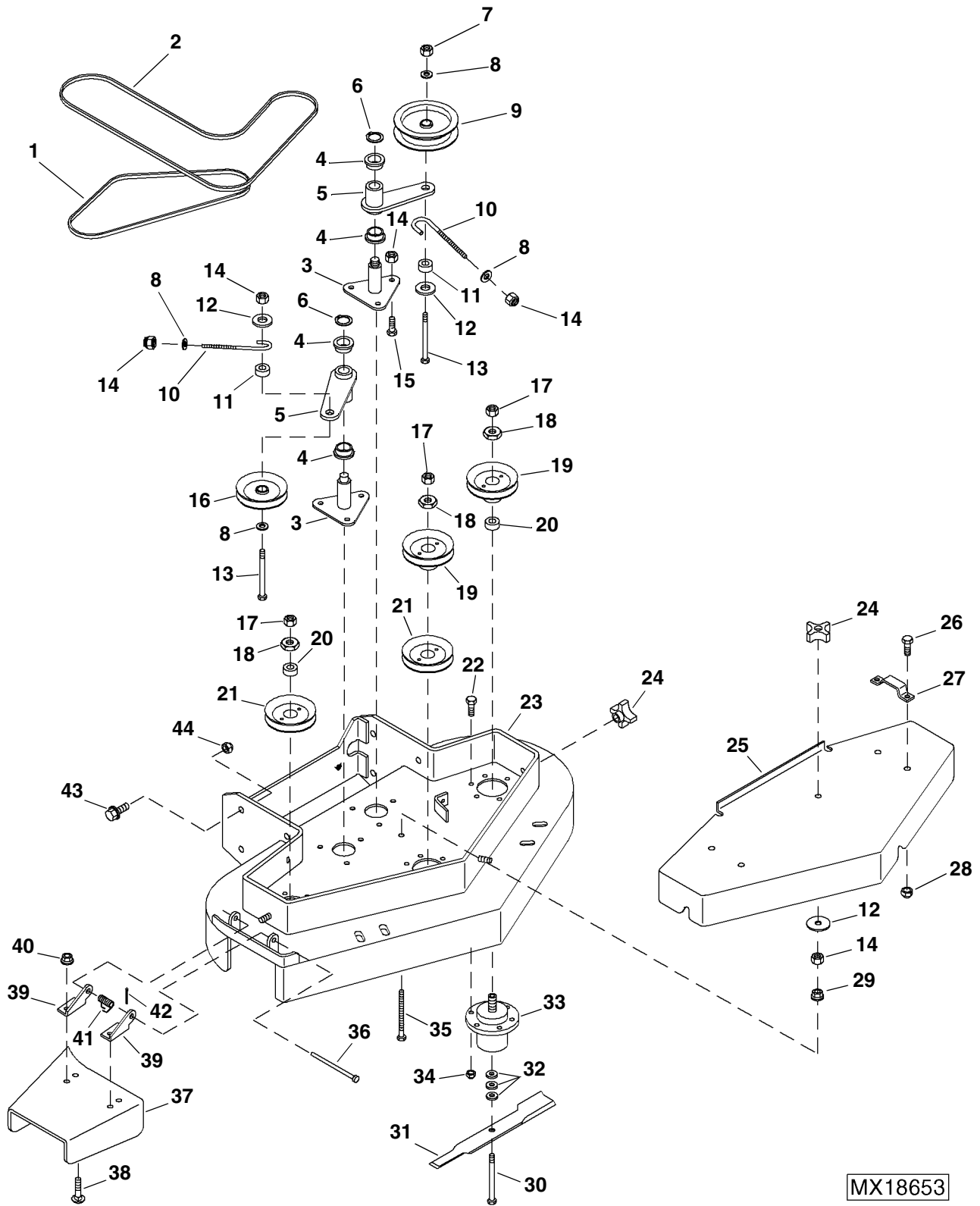
MX18652

## 36-INCH MOWER DECK

Ref. No.	Part No.	Description	Qty.	Remarks
1	D14010	Lock Nut	4	3/8-16
2	24H1305	Washer	2	13/32 x 13/16 x 0.065
3	D13005	J-Hook	1	
4	19H3031	Bolt	1	3/8 x 2-1/2
5	D13023	Spacer	1	0.380 x 1.0 x 0.410
6	D15032	Arm, Idler	1	
7	D18032	Pulley, Idler	1	
8	D24013	Lock Nut	1	3/8-16
9	D14104	Snap Ring	1	1.00
10	D18076	Bushing	2	1.004 x 1.252 x 1
11	GDA10036	Pivot, Idler	1	
12	D35009	Hood	1	
13	D38007	V-Belt	1	
14	D14282	Nut	2	5/8-18
15	D13055	Nut, Spindle	2	7/8-14
16	D18084	Pulley	2	
17	D13024	Spacer	2	1.00 x 1.50 x 0.50
18	19M7786	Bolt	12	M10 x 30
19	D18046	Knob	2	
20	D35007	Mower Deck	1	
21	D14101	Bolt	2	5/8-18 x 7-3/4
22	GDU10231	Blade	2	
23	D18055	Spacer, Blade	6	0.63 x 1.50 x 0.25
24	D18030	Spindle	2	
25	E63526	Lock Nut	12	M10
26	D14013	Bolt	3	3/8 x 1.0
27	D18060	Pin	1	
28	D12007	Chute	1	
29	03M7184	Carriage Bolt	4	M8 x 20
30	D12006	Hinge	2	
31	14M7396	Lock Nut	4	M8
32	D18077	Torsion Spring	1	
33	D14107	Cotter Pin	1	3/32 x 1.00
34	D14110	Bolt	8	1/2 x 1.25
35	D14045	Lock Nut	8	1/2

## NOTES

# 48-INCH MOWER DECK

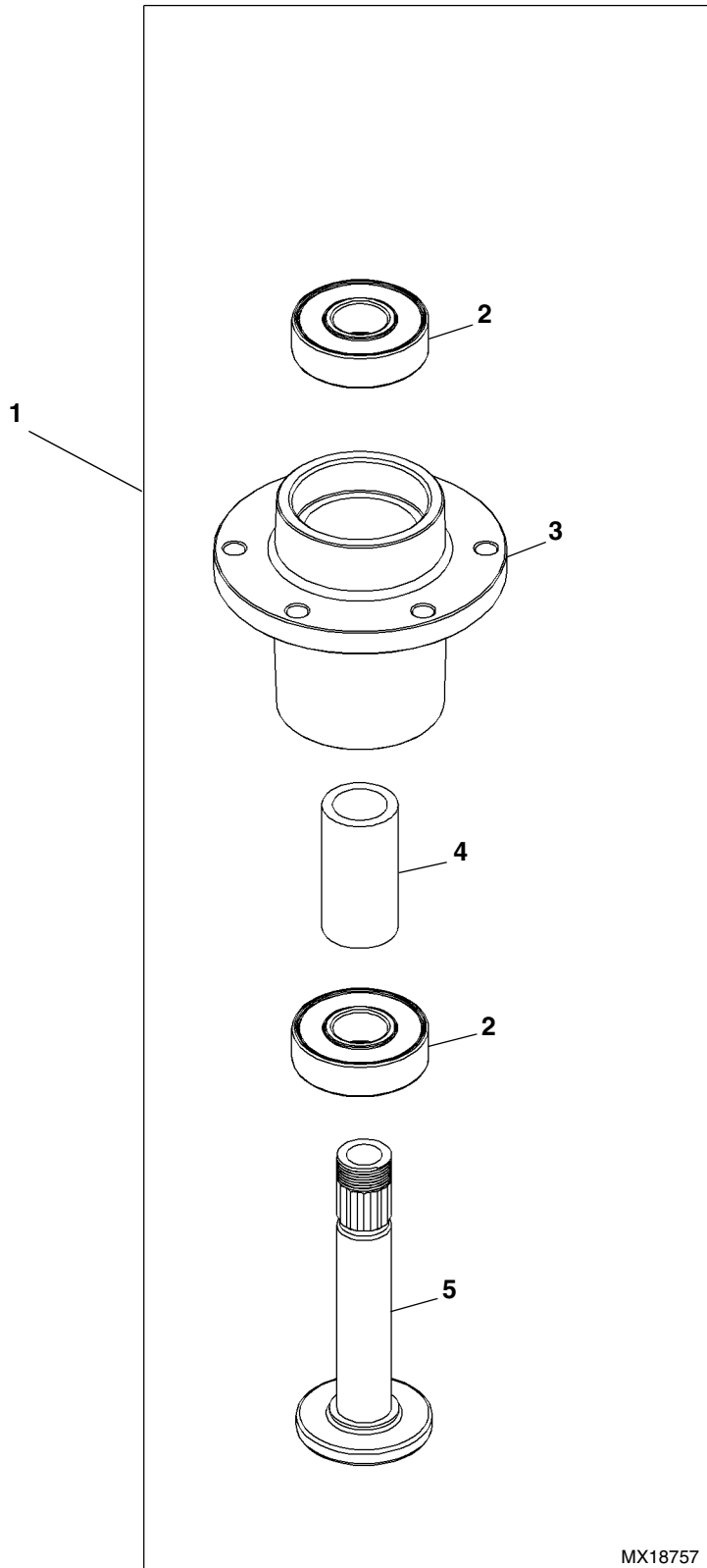


MX18653

## 48-INCH MOWER DECK

Ref. No.	Part No.	Description	Qty.	Remarks
1	D38019	V-Belt	1	Center to RH blade
2	D18087	V-Belt	1	Engine to deck
3	GDA10036	Pivot, Idler	2	
4	D18076	Bushing	4	1.004 x 1.252 x 1
5	D15032	Arm, Idler	2	
6	D14104	Snap Ring	2	1.00
7	D24013	Lock Nut	1	3/8-16
8	24H1305	Washer	4	13/32 x 13/16 x 0.065
9	D18032	Pulley, Idler	1	
10	D13005	J-Hook	2	
11	D13023	Spacer	2	0.380 x 1.0 x 0.410
12	D24019	Washer	3	0.406 x 2.00 x 0.058
13	19H3031	Bolt	2	3/8 x 2-1/2
14	D14010	Lock Nut	9	3/8-16
15	D14013	Bolt	6	3/8 x 1.0
16	D18031	Pulley, Idler	1	
17	D14282	Nut	3	5/8-18
18	D13055	Nut, Spindle	3	7/8-14
19	D18084	Pulley	2	
20	D13024	Spacer	2	1.00 x 1.50 x 0.50
21	D18083	Pulley	2	
22	19M7786	Bolt	18	M10 x 30
23	D35005	Mower Deck	1	
24	D18046	Knob	4	
25	D35013	Hood	1	
26	19H1227	Bolt	4	1/4-20 x 1/2
27	D18133	Handle	2	
28	D14044	Lock Nut	4	1/4-20
29	14H1090	Flange Nut	1	3/8-16
30	D14101	Bolt	3	5/8-18 x 7-3/4
31	GDU10230	Blade	3	
32	D18055	Spacer, Blade	9	0.63 x 1.50 x 0.25
33	D18030	Spindle	3	
34	E63526	Lock Nut	18	M10
35	D14237	Bolt	1	3/8 x 5.00
36	D18060	Pin	1	
37	D12086	Chute	1	
38	03M7184	Carriage Bolt	4	M8 x 20
39	D12006	Hinge	2	
40	14M7396	Lock Nut	4	M8
41	D18077	Torsion Spring	1	
42	D14107	Cotter Pin	1	3/32 x 1.00
43	D14110	Bolt	8	1/2 x 1.25
44	D14045	Lock Nut	8	1/2

# MOWER DECK SPINDLES



## MOWER DECK SPINDLES

---

---

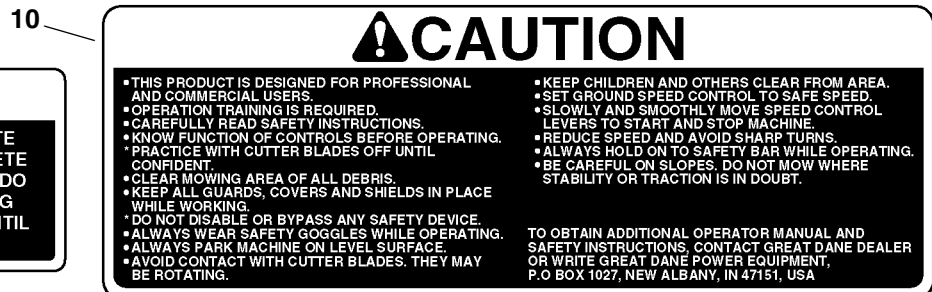
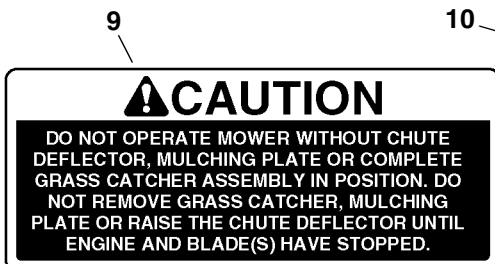
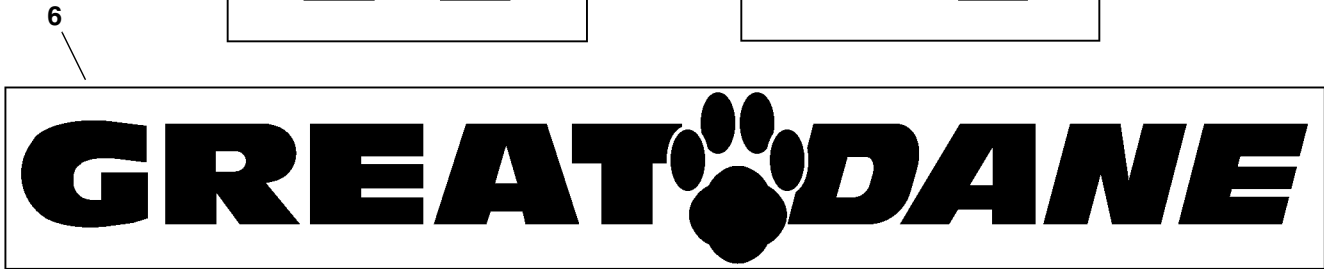
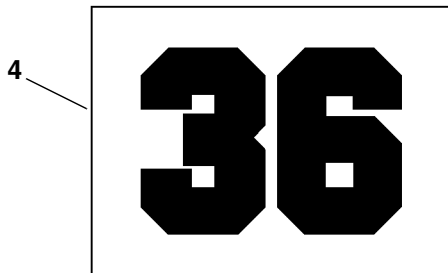
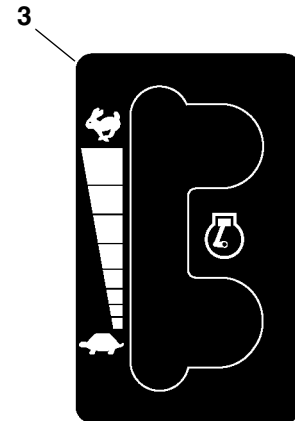
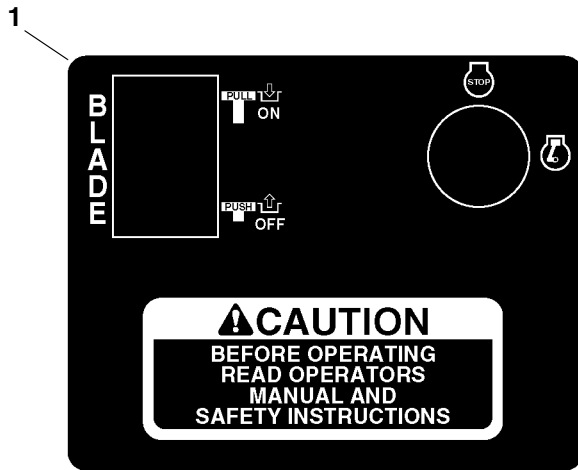
Ref. No.	Part No.	Description	Qty.	Remarks
1	D18030	Spindle	1	1.000 x 1.250 x 2.772
2	D18045	Ball Bearing	2	
3	D11000	Housing	1	
4	D18033	Spacer	1	
5	D18048	Shaft, Spindle	1	

### NOTES

---

---

# LABELS AND DECALS





## LABELS AND DECALS

---

---

Ref. No.	Part No.	Description	Qty.	Remarks
1	TCU16481	Label	1	PTO / Ignition
2	D18023	Label	1	Hydro Oil Reservoir
3	D18021	Label	1	Throttle
4	D38056	Label	1	"36"
5	GDU10267	Label	1	"48"
6	D18027	Label	1	"Great Dane"
7	M131739	Label	1	Danger
8	D38116	Label	1	"Scamper" (Small)
9	D18025	Label	1	Caution (Warning)
10	D18024	Label	1	Caution (Console)

### NOTES

---

---

